

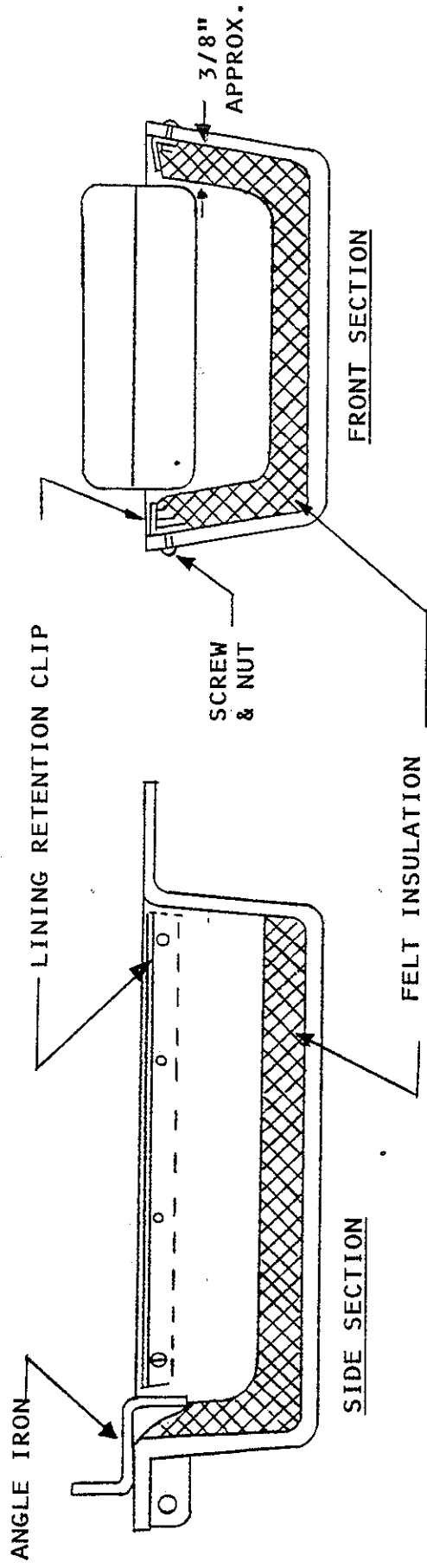
MATERIAL FOR RELINING #118 FURNACE

<u>SHIPPED</u>	<u>REQUIRED</u>	<u>ITEM</u>
_____	<u>1</u>	TOP LINING WRP-X-AQ FELT
_____	<u>4</u>	SHORT LINING RETENTION CLIPS
_____	<u>2</u>	LONG LINING RETENTION CLIPS
_____	<u>16</u>	8-32 X 1/2 RHMS WITH NUTS
_____	<u>1</u>	ANGLE IRON
_____	<u>2</u>	1/4 - 20X 1/2 FHMS
_____	<u>1</u>	1/2 PINT NO. 36 CEMENT
_____	<u>1</u>	BOTTOM LINING WRP-X-AQ FELT

INSTRUCTIONS FOR RELINING #118 FURNACE

1. REMOVE HINGE BOLT.
2. IF THE ANGLE IRON NEEDS REPLACING, REMOVE IT AND REPLACE IT WITH THE NEW ONE.
3. IF YOUR OLD LINING RETENTION CLIPS ARE IN GOOD CONDITION, LEAVE THEM IN PLACE: OTHERWISE REMOVE THE CLIPS AND THE OLD LINING.
4. REPLACE THE OLD CLIPS, IF NECESSARY, BY USING THE SCREWS AND NUTS FURNISHED. IF YOU HAVE AN OLDER MODEL THAT DOES NOT HAVE HOLES FOR THE CLIPS, CONSULT THE ATTACHED SKETCH FOR INSTALLING THE CLIPS.
5. USE A BRUSH OR STICK AND PUT A FEW SPOTS OF CEMENT ON THE TOP CASTING. CONSULT DRAWING B-118-C AND LINE THE TOP CASTING WITH THE FELT INSULATION. NOTE: THIS FELT MUST BE KEPT IN THE PLASTIC SACKS TO STAY MOIST. DO NOT REMOVE IT UNTIL YOU ARE READY TO USE IT. IF FOR SOME REASON IT HAS DRIED OUT, ADD WATER TO THE FELT UNTIL IT BECOMES PLIABLE AGAIN.
6. PUT A FEW SPOTS OF CEMENT ON THE BOTTOM CASTING AND POSITION THE FELT INSULATION. SEE FORM NO. 1176.
7. ALLOW THE 2 SECTIONS TO DRY FOR 24 HOURS AND THEN ASSEMBLE THE SECTIONS TOGETHER.

NO. 108 - NO. 118 BOTTOM LINING

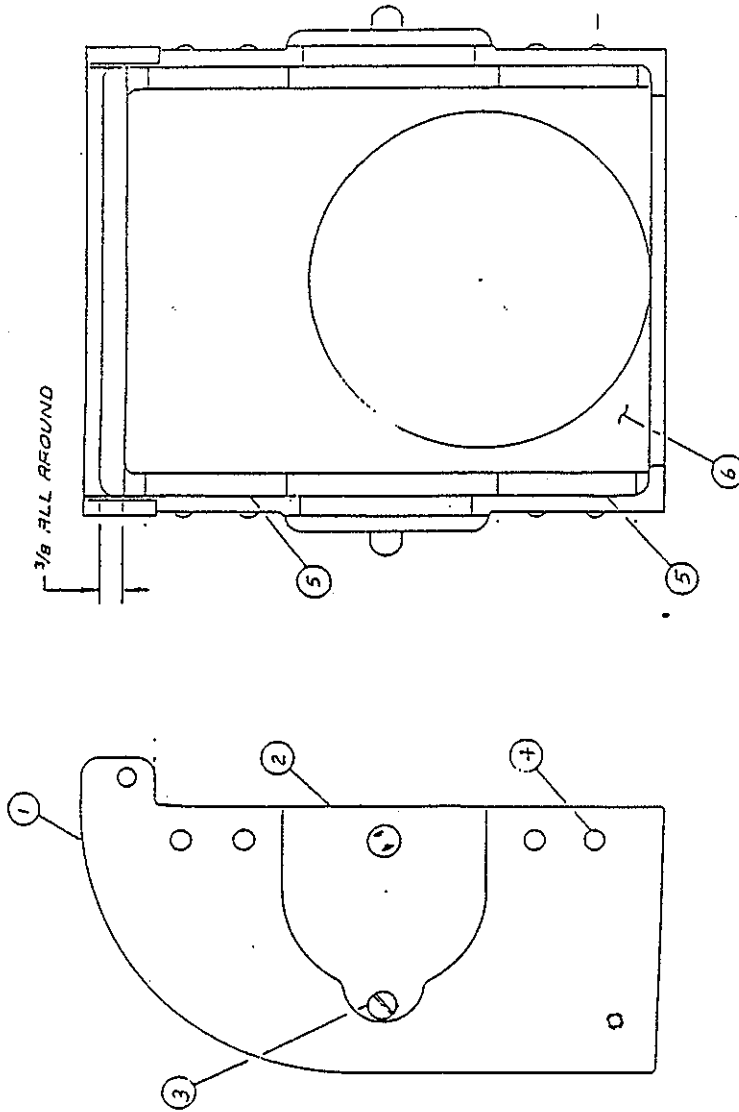


IF YOUR OLD LINING CLIPS ARE IN GOOD SHAPE LEAVE THEM IN PLACE.

IF NOT, USE THE NEW CLIPS WITH THE NUTS & SCREWS.

IF YOU HAVE AN OLDER MODEL WITHOUT HOLES USE THE CLIPS AS A TEMPLATE AND DRILL 13/64 HOLES.

B-118-C



ITEM	PART NO.	QTY.	DESCRIPTION
1	F-118-1	1	TOP
2	R-118-3	2	SIDE DOOR
3	S-120-115	2	1/4-20 x 3/16 RD. HD. SPEC. SCREW
4	605-2-1	3	3/16 x 3/8 TUBULAR RIVET
5	R-118-7	4	LINING BRACKET
6	B-118-11	1	TOP LINING
7			
8			
9			
10			

TOP & LINING ASS'Y.

DATE	OWN BY
NAME	APPL BY
MATL	DATE
BLANK SIZE	
NO. RECD.	
SCALE	
USED ON	
JOHNSON GAS APPLIANCE CO.	
CEDAR RAPIDS, IOWA 52405	
B-118-C	

Deleted A-118-12 & A-118-13 2-21-78 JW