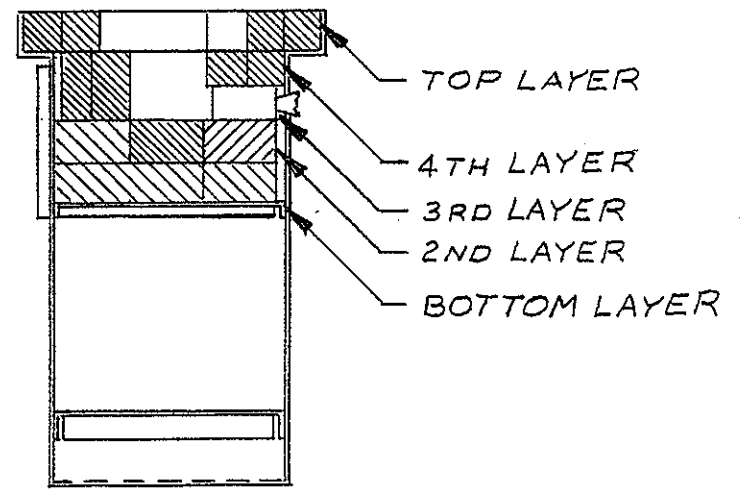
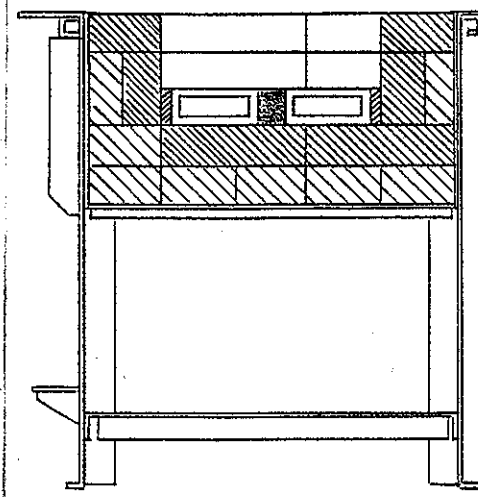
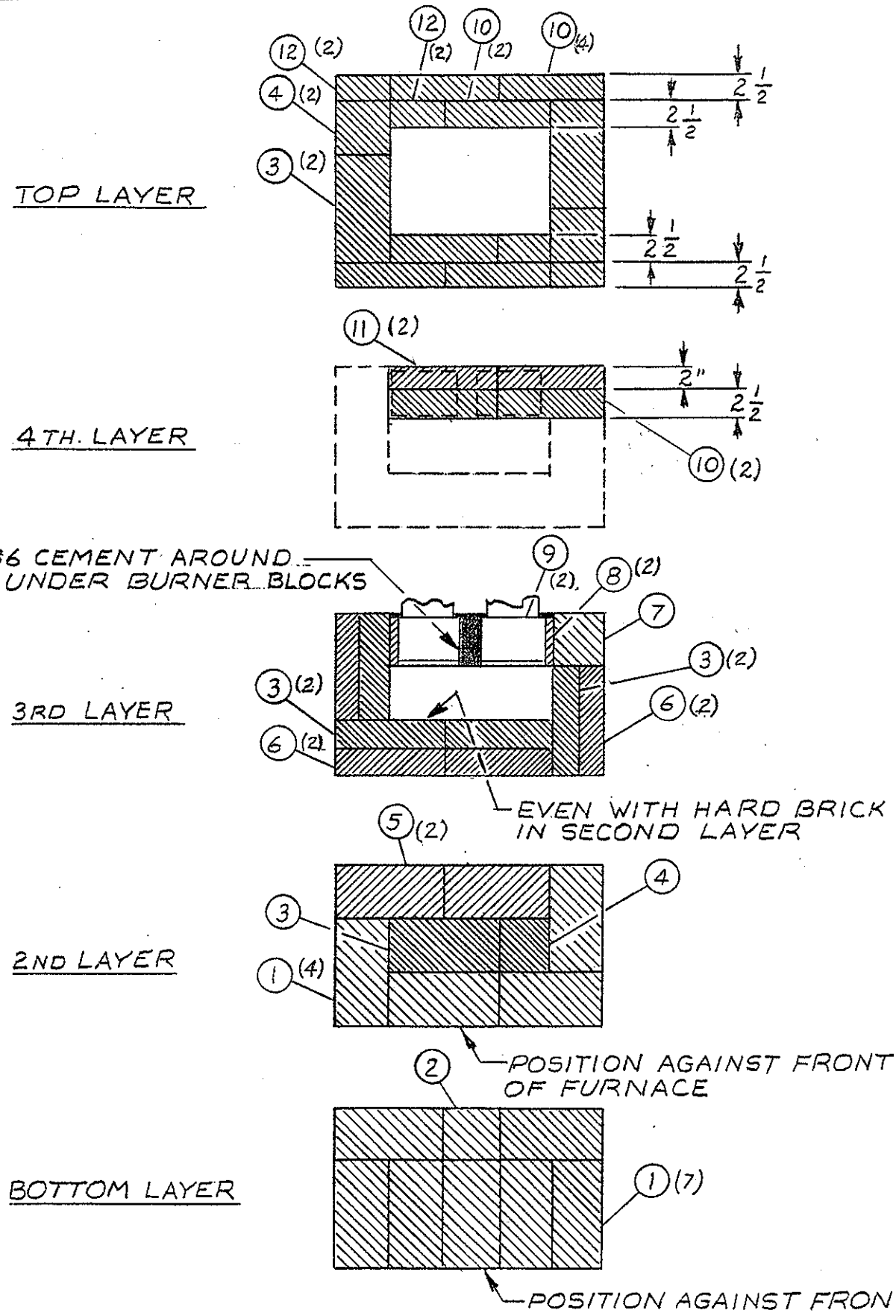


B-122-BJ

ITEM	PART NO.	QTY.	DESCRIPTION
1	314	11	2000° INSULATION BRICK 2 1/2 x 4 1/2 x 9"
2	314	1	2000° INSULATION BRICK 4 1/2 x 4 1/2 x 2 1/2
3	313-1	7	STRAIGHT FIREBRICK 2 1/2 x 4 1/2 x 8 7/8
4	313-4	3	1/2 HARD BRICK 2 1/2 x 4 1/2 x 4 1/2
5	316	2	2300° INSULATION BRICK 2 1/2 x 4 1/2 x 9"
6	316	4	2300° INSULATION BRICK 2" x 4 1/2 x 9"
7	314	1	2000° INSULATION BRICK 4 1/2 x 4 1/2 x 2 1/4
8	316	2	2300° INSULATION BRICK 3/4 x 2 1/8 x 4 3/8
9	B-575-6	2	BURNER BLOCK
10	313-2	8	FIREBRICK SOAP 2 1/4 x 2 1/2 x 8 7/8
11	316	2	2300° INSULATION BRICK 2" x 2 1/4 x 9"
12	313-3	4	1/2 HARD SOAP 2 1/4 x 2 1/2 x 4 1/2
13	315-1	AS REQ'D.	#36 CEMENT



A REVISED & REDRAWN 6-3-76 *JAR*

PART NAME		DOUBLE WIDTH LINING ASS'Y.	
MAT'L	BLANK SIZE	USED ON	DWN. BY <i>JAR</i>
		A-122-BX	APPR. BY
			DATE 6-3-76
NO. REQ'D. 1	JOHNSON GAS APPLIANCE CO.		B-122-BJ
SCALE 1" = 1'-0"	CEDAR RAPIDS, IOWA 52405		