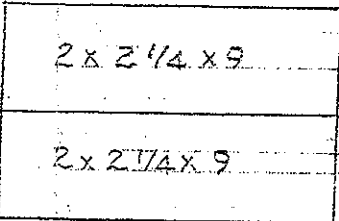
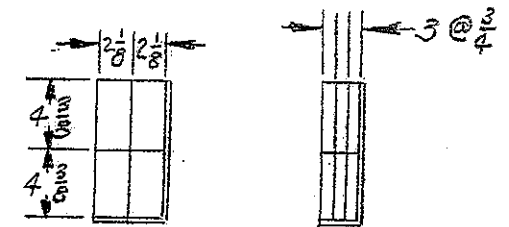


B-122-Z

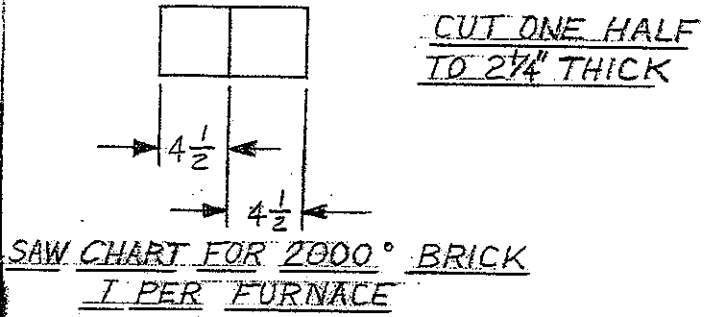
SYM.	PART NO.	QTY	PART NAME
1	B-575-6	2	BURNER BLOCK
2	313-1	11	HARD FIRE BRICK
3	313-2	6	HARD SOAPS - 2 1/2 x 2 1/2 x 8 7/8
4	314	12	2000° INSULATION BRICK
5	916	2 1/2	2300° INSULATION BRICK
6	35-01-00062	1.5	#2 SPLIT
7	3-315-1	As Req'd	#36 CEMENT
8			
9	313-3	2	1/2 HARD SOAPS 2 1/2 x 4 1/2 x 2 1/2
10	313-4	1	1/2 HARD BRICK 2 1/2 x 4 1/2 x 4 1/2



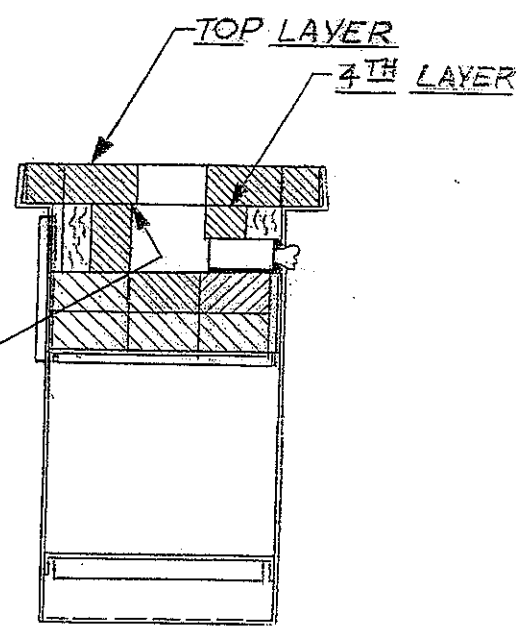
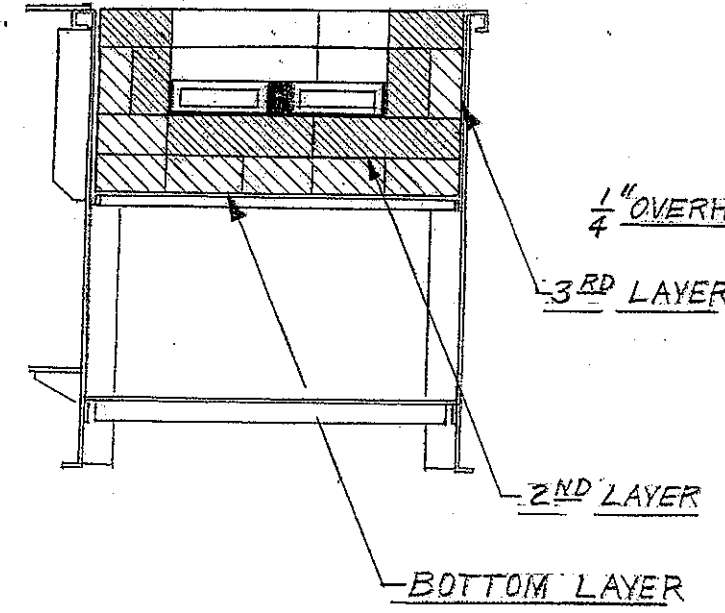
SAW CUT CHART FOR #2 SPLIT  
 (2) PCS. 2 x 2 1/4 x 9 REQ'D.  
 (4) PCS. ARE STANDARD SIZE



SAW CHART FOR 2300° BRICK  
 1 BRICK FOR 6 FURNACES



SAW CHART FOR 2000° BRICK  
 1 PER FURNACE



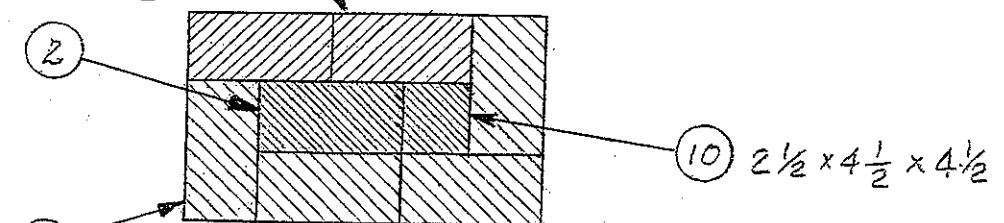
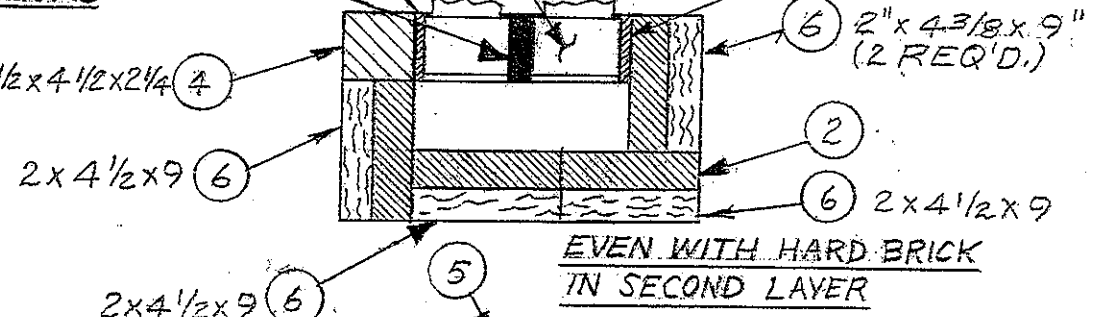
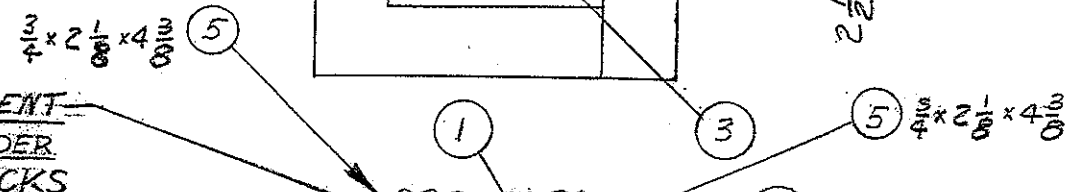
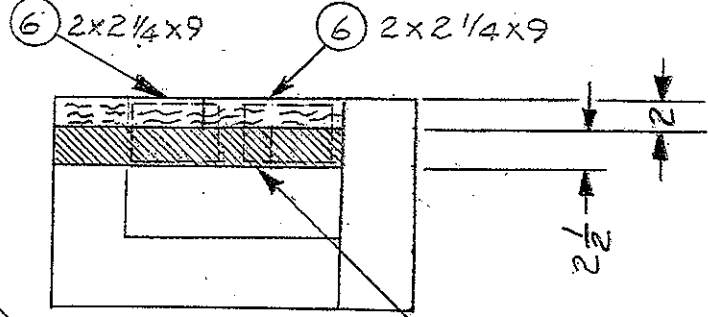
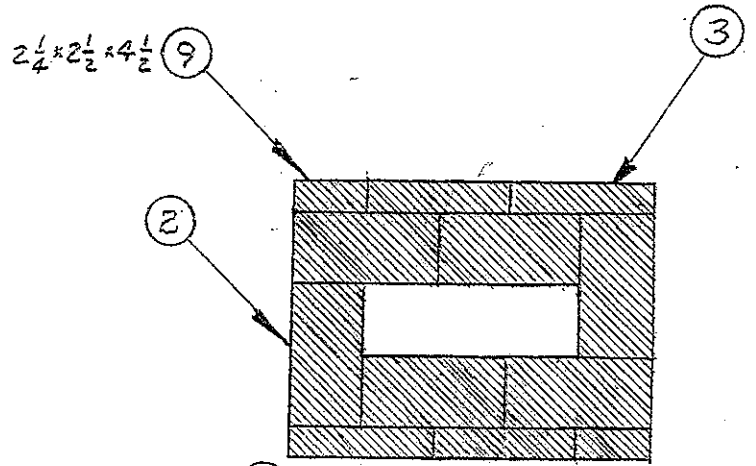
TOP LAYER

4TH LAYER

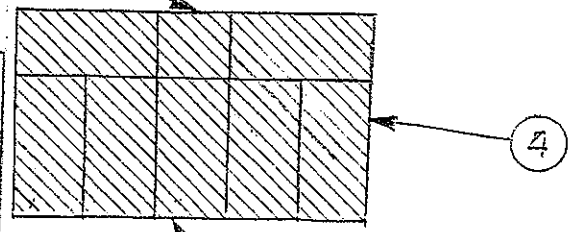
3RD LAYER

2ND LAYER

BOTTOM LAYER



POSITION AGAINST FRONT OF FURNACE



E	35-01-00062 #2 SPLIT WAS 319 SUPEREX; 2 x 4 1/2 x 9 WAS 2 x 4 3/8 x 9; 2 x 2 1/4 x 9 WAS 2 x 2 1/4 x 18	9-28-89
D	PICTORIAL CHANGE ON 4TH LAYER	8-17-83
C	1/4" MOVED TO OFF SIDE IN 3RD LAYER	5-4-82
B	#36 CEMENT WAS SAIRSET AND THICKENED SAIRSET	12-10-69
A	REVISED	3-6-67

Mat'l	Title	Dwn.	Scale
	#122 LINING ASSEMBLY	KUB	1" = 1'-0"
JOHNSON GAS APPLIANCE COMPANY CEDAR RAPIDS, IOWA		Appr.	B-122-Z
Used On — A-122-BX		Date	
		7-1-66	