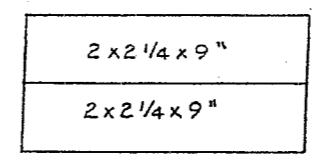
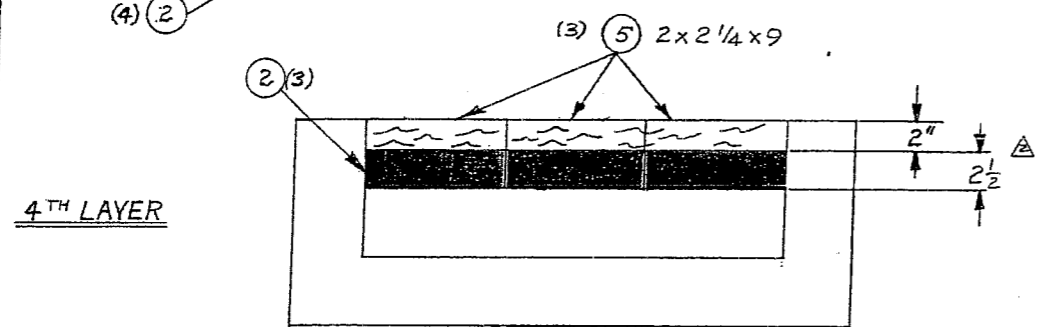
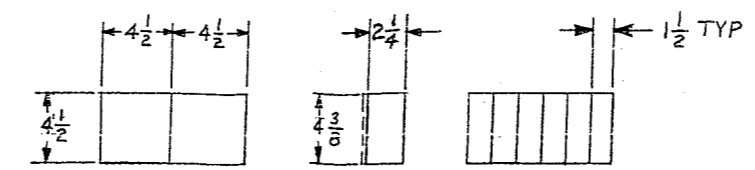
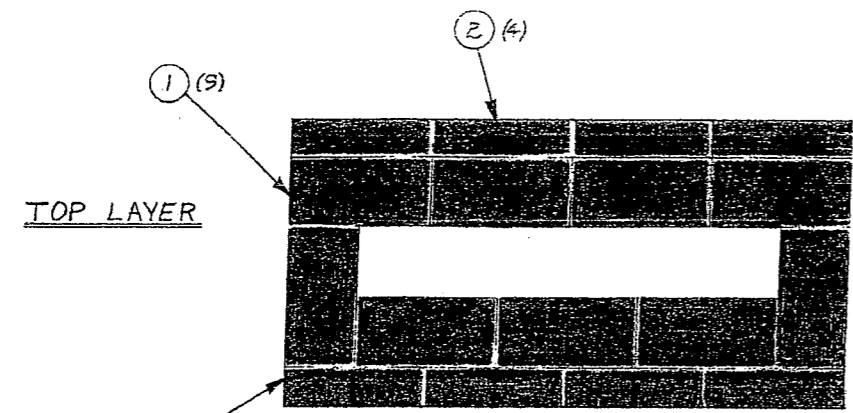
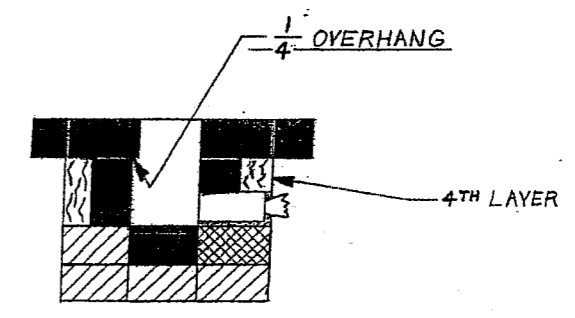
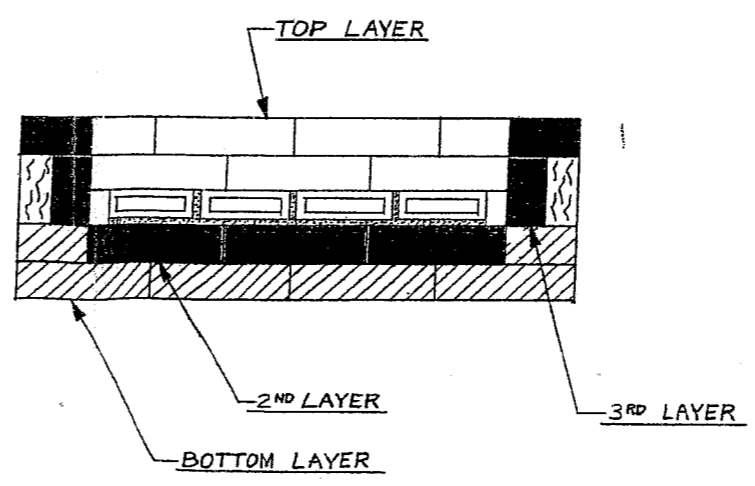
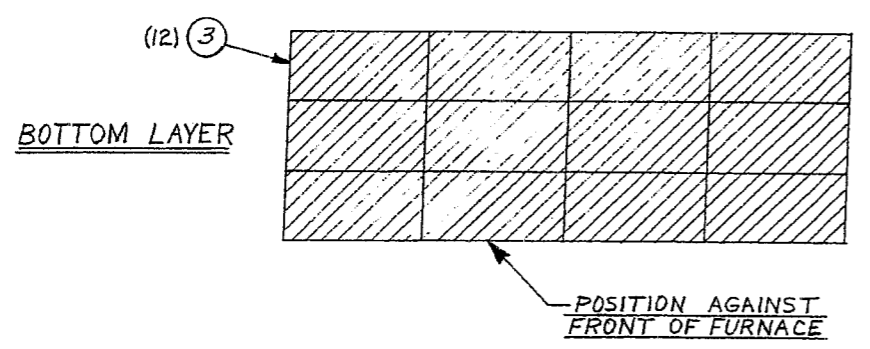
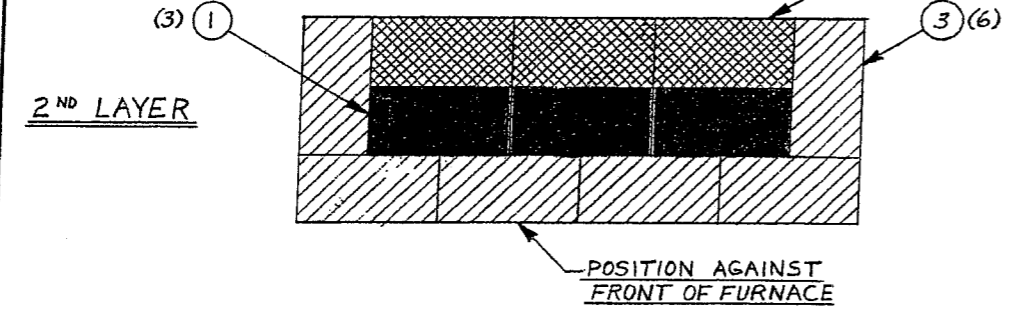
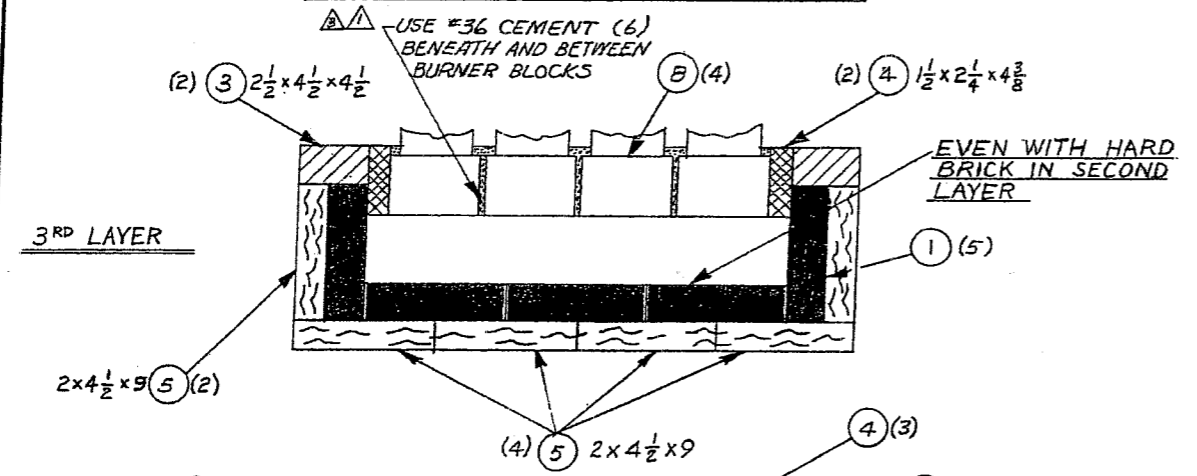


SYM	PART NO.	QTY	ITEM
1	S-313-1	17	HARD FIRE BRICK - $2\frac{1}{2} \times 4\frac{1}{2} \times 8\frac{7}{8}$
2	S-313-2	11	HARD SOAPS $2\frac{1}{2} \times 2\frac{1}{2} \times 8\frac{7}{8}$
3	S-314	19	2000° INSULATING BRICK
4	S-316	3½	2300° INSULATING BRICK
5	35-01-00062	7½	#2 SPLIT
6	S-315-1	As Req'd	#36 CEMENT
7			
8	SB-575-6	4	BURNER BLOCK



SAW CHART FOR #2 SPLIT
(3) PC'S. 2 x 2¼ x 9" REQ'D.
(6) PC'S. ARE STANDARD SIZE



C-133-CT

D 35-01-00062 #2 SPLIT WAS 319 SUPEREX INSULATION 9-27-89
2 x 4 1/2 x 9 WAS 2 x 4 1/2 x 9 (4) 7 x 4 1/2 x 19 WAS 2 x 4 1/2 x 9
#36 CEMENT WAS SAIRSET & THICKENED SAIRSET
C WAS USED AROUND BURNER BLOCKS 12-10-69
B 2 1/2 WAS 2 1/2 204 B-29-69
A 6" WRS "KS-4 CASTABLE"; NOTE ADDED 4-3-67

Mat'l	LISTED	Title - #133 FORGE LINING DIAGRAM	Dwn.	KJB	Scale	1/8"
JOHNSON GAS APPLIANCE COMPANY CEDAR RAPIDS, IOWA			Cl'd		C-133-CT	
Used On - #133 FORGE FURNACE			Appr.			
			Date	6-22-66		